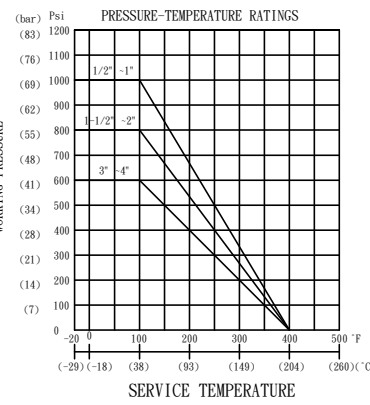


L - PORT 90° TURN

T - PORT 90° TURN

TYPE 1 STANDARD TYPE 2

A-A SECTION

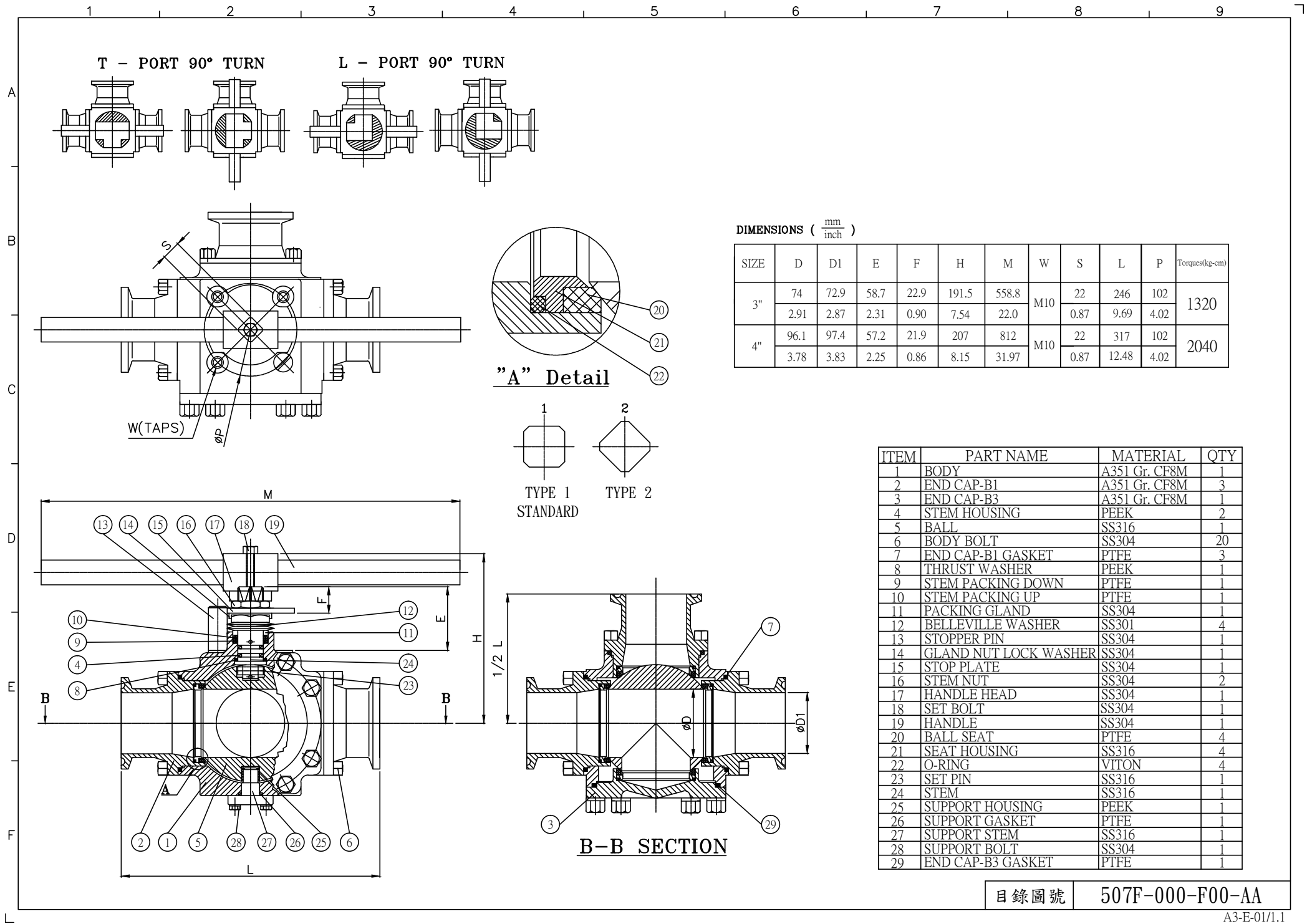


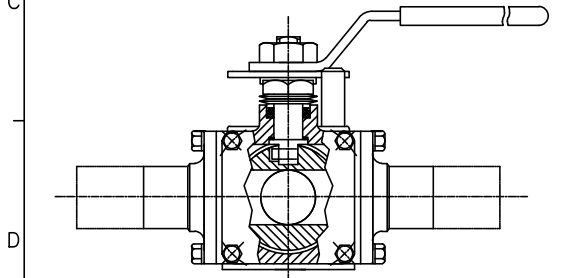
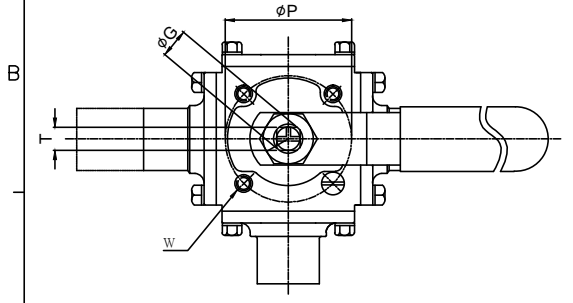
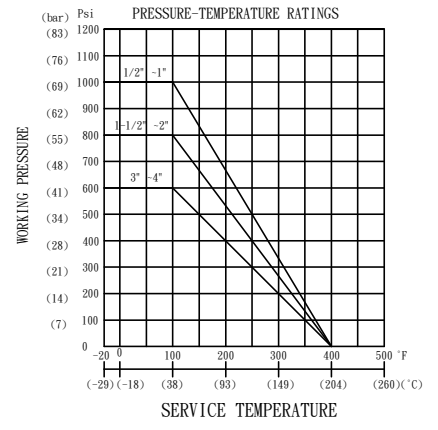
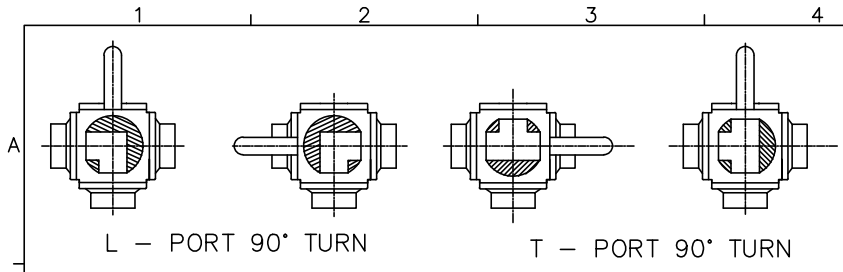
ITEM	PART NAME	MATERIAL	QTY
1	BODY	A351 Gr. CF8M	1
2	BALL	SS316	1
3	BALL SEAT	PTFE+15%CF	4
4	GASKET	PTFE	4
5	END CAP-B1	A351 Gr. CF8M	3
6	END CAP-B2	A351 Gr. CF8M	1
7	STEM	SS316	1
8	THRUST WASHER	PEEK	1
9	O-RING	VITON	1
10	STEM PACKING DOWN	PTFE	1
11	STEM PACKING UP	PTFE	1
12	PACKING GLAND	SS304	2
13	BELLEVILLE WASHER	SS304	4
14	GLAND NUT	SS304	1
15	GLAND NUT LOCK WASHER	SS304	1
16	STOP PLATE	SS304	1
17	STOPPER PIN	SS304	1
18	BODY BOLT	SS304	16
19	SPRING WASHER	SS304	16
20	HANDLE NUT	SS304	1
21	HANDLE	SS304	1
22	HANDLE COVER	PLASTIC	1
23	BALL RETAINER PIN	SS316	1
24	SUPPORT HOUSING	PTFE	1
25	SUPPORT GASKET	SS316	1
26	SUPPORT STEM	SS304	1
27	SUPPORT BOLT	PTFE	1

DIMENSIONS (mm / inch)

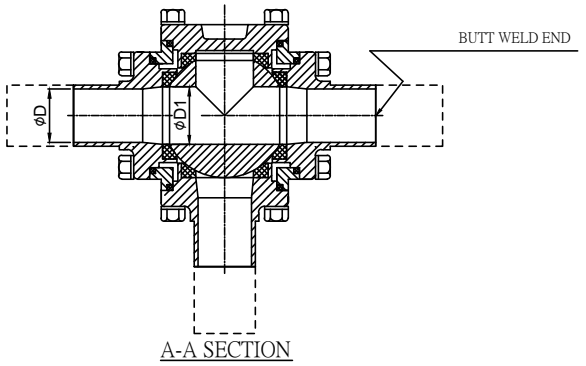
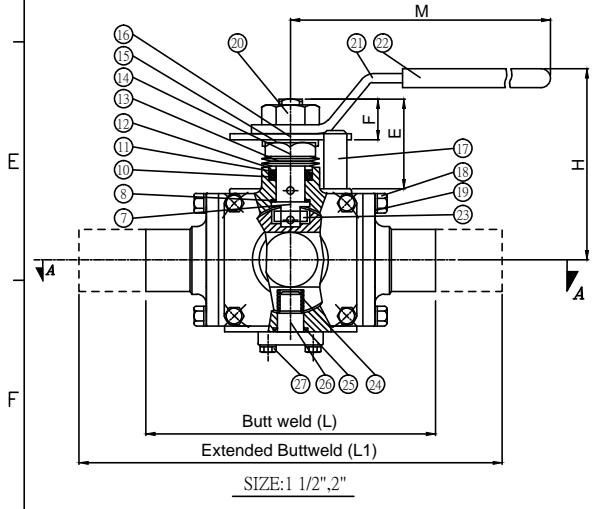
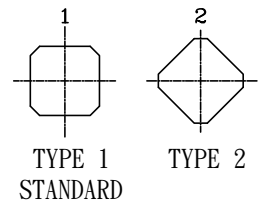
SIZE	D1	D	E	F	H	M	L	G	T	P	W	Y	J	Torques(kg-cm)
1/2"	12.0	9.525	18.0	11.5	51.0	147.0	103.124	10.0	6.5	50.0	M6	35.052	26.924	125
	0.47	0.375	0.71	0.45	2.01	5.79	4.06	0.39	0.26	1.97		1.38	1.06	
3/4"	15.0	15.621	18.0	11.5	56.0	147.0	128.524	10.0	6.5	50.0	M6	43.688	34.036	205
	0.59	0.615	0.71	0.45	2.20	5.79	5.06	0.39	0.26	1.97		1.72	1.34	
1"	25.0	22.098	27.0	14.0	86.0	198.0	153.924	14.0	9.7	70.0	M8	51.816	41.91	305
	0.98	0.870	1.06	0.55	3.39	7.80	6.06	0.55	0.38	2.76		2.04	1.65	
1.1/2"	38.0	34.798	46.0	19.0	104.0	254	184.404	18.0	9.7	102.0	M10	67.056	54.102	815
	1.50	1.370	1.81	0.75	4.09	10.00	7.26	0.71	0.38	4.02		2.64	2.13	
2"	50.8	47.498	52.5	21.0	135.0	312.0	215.9	20.0	12.0	102.0	M10	82.55	66.04	1100
	2.00	1.870	2.07	0.83	5.31	12.28	8.50	0.78	0.47	4.02		3.25	2.60	

目錄圖號 507F-000-F00-AA





SIZE: 1/2", 3/4", 1"

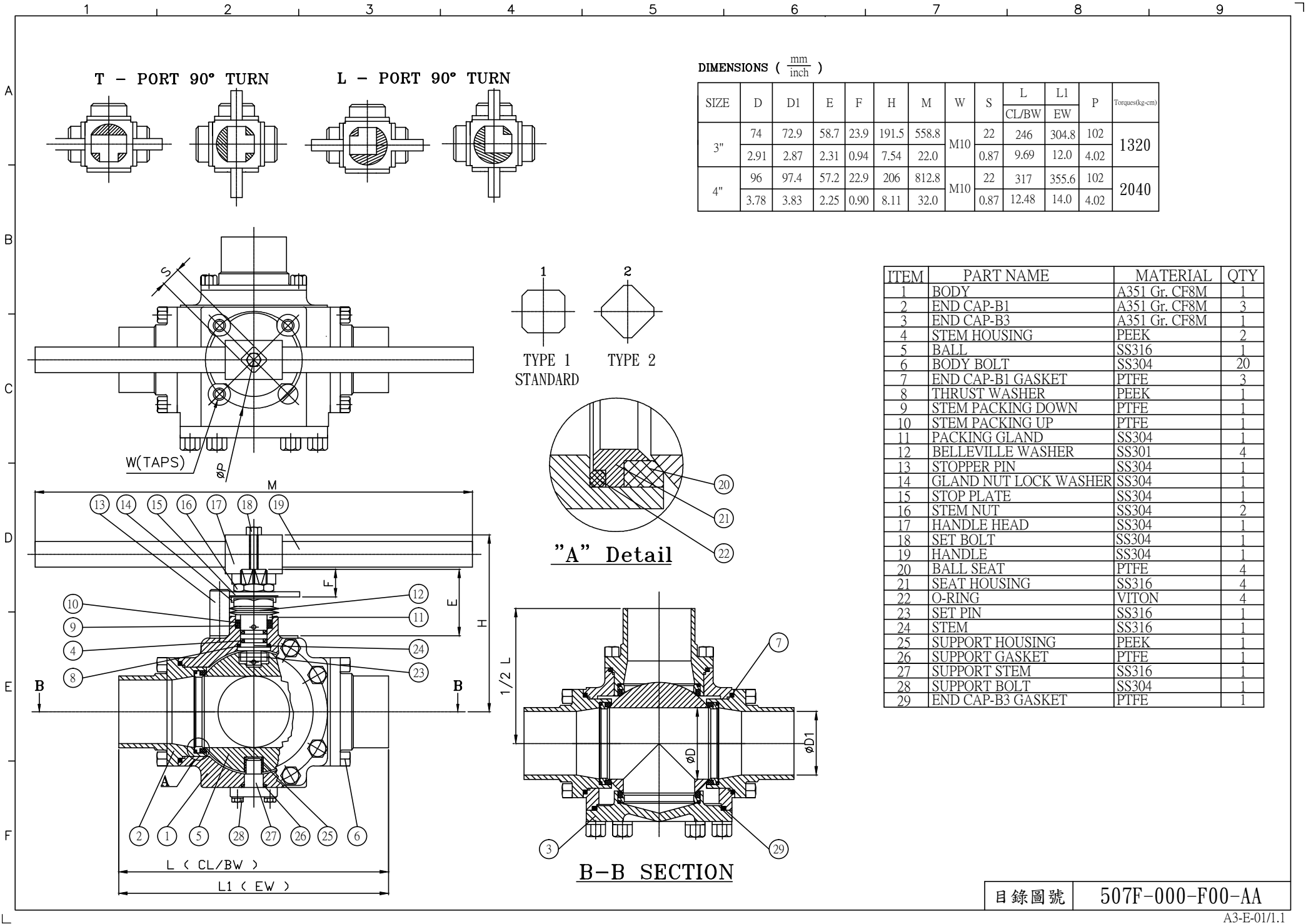


ITEM	PART NAME	MATERIAL	QTY
1	BODY	A351 Gr. CF8M	1
2	BALL	SS316	1
3	BALL SEAT	PTFE+15%CF	4
4	GASKET	PTFE	4
5	END CAP-B1	A351 Gr. CF8M	3
6	END CAP-B2	A351 Gr. CF8M	1
7	STEM	SS316	1
8	THRUST WASHER	PEEK	1
9	O-RING	VITON	1
10	STEM PACKING DOWN	PTFE	1
11	STEM PACKING UP	PTFE	1
12	PACKING GLAND	SS304	2
13	BELLEVILLE WASHER	SS304	4
14	GLAND NUT	SS304	1
15	GLAND NUT LOCK WASHER	SS304	1
16	STOP PLATE	SS304	1
17	STOPPER PIN	SS304	1
18	BODY BOLT	SS304	16
19	SPRING WASHER	SS304	16
20	HANDLE NUT	SS304	1
21	HANDLE	SS304	1
22	HANDLE COVER	PLASTIC	1
23	BALL RETAINER PIN	SS316	1
24	SUPPORT HOUSING	PTFE	1
25	SUPPORT GASKET	SS316	1
26	SUPPORT STEM	SS304	1
27	SUPPORT BOLT	PTFE	1

DIMENSIONS (mm / inch)

SIZE	D1	D	E	F	H	M	W	G	T	L	L1	P	Torque(Ng-cm)
1/2"	12.0	9.525	18.0	11.50	51.0	147.0	M6	10.0	6.5	103.632	149.098	50.0	125
	0.47	0.375	0.71	0.45	2.01	5.79		0.39	0.26	4.08	5.87	1.97	
3/4"	15.0	15.621	18.0	11.50	56.0	147.0	M6	10.0	6.5	128.524	181.356	50.0	205
	0.59	0.615	0.71	0.45	2.20	5.79		0.39	0.26	5.06	7.14	1.97	
1"	25.0	22.098	27.0	14.0	86.0	198.0	M8	14.0	9.7	153.924	228.6	70.0	305
	0.98	0.870	1.06	0.55	3.39	7.80		0.55	0.38	6.06	9.00	2.76	
1.1/2"	38.0	34.798	46.0	19.0	104.0	254	M10	18.0	9.7	184.404	254	102.0	815
	1.50	1.37	1.81	0.75	4.09	10.00		0.71	0.38	7.26	10.00	4.02	
2"	50.8	47.498	52.5	21.0	135.0	312.0	M10	20.0	12.0	215.9	279.4	102.0	1100
	2.00	1.87	2.07	0.83	5.31	12.28		0.78	0.47	8.50	11.00	4.02	

目錄圖號 507F-000-F00-AA



T - PORT 90° TURN

L - PORT 90° TURN

DIMENSIONS ($\frac{mm}{inch}$)

SIZE	D	D1	E	F	H	M	W	S	L		P	Torques(kg-cm)
									CL/BW	EW		
3"	74	72.9	58.7	23.9	191.5	558.8	M10	22	246	304.8	102	1320
	2.91	2.87	2.31	0.94	7.54	22.0		0.87	9.69	12.0	4.02	
4"	96	97.4	57.2	22.9	206	812.8	M10	22	317	355.6	102	2040
	3.78	3.83	2.25	0.90	8.11	32.0		0.87	12.48	14.0	4.02	

ITEM	PART NAME	MATERIAL	QTY
1	BODY	A351 Gr. CF8M	1
2	END CAP-B1	A351 Gr. CF8M	3
3	END CAP-B3	A351 Gr. CF8M	1
4	STEM HOUSING	PEEK	2
5	BALL	SS316	1
6	BODY BOLT	SS304	20
7	END CAP-B1 GASKET	PTFE	3
8	THRUST WASHER	PEEK	1
9	STEM PACKING DOWN	PTFE	1
10	STEM PACKING UP	PTFE	1
11	PACKING GLAND	SS304	1
12	BELLEVILLE WASHER	SS301	4
13	STOPPER PIN	SS304	1
14	GLAND NUT LOCK WASHER	SS304	1
15	STOP PLATE	SS304	1
16	STEM NUT	SS304	2
17	HANDLE HEAD	SS304	1
18	SET BOLT	SS304	1
19	HANDLE	SS304	1
20	BALL SEAT	PTFE	4
21	SEAT HOUSING	SS316	4
22	O-RING	VITON	4
23	SET PIN	SS316	1
24	STEM	SS316	1
25	SUPPORT HOUSING	PEEK	1
26	SUPPORT GASKET	PTFE	1
27	SUPPORT STEM	SS316	1
28	SUPPORT BOLT	SS304	1
29	END CAP-B3 GASKET	PTFE	1

"A" Detail

B-B SECTION

目錄圖號 507F-000-F00-AA